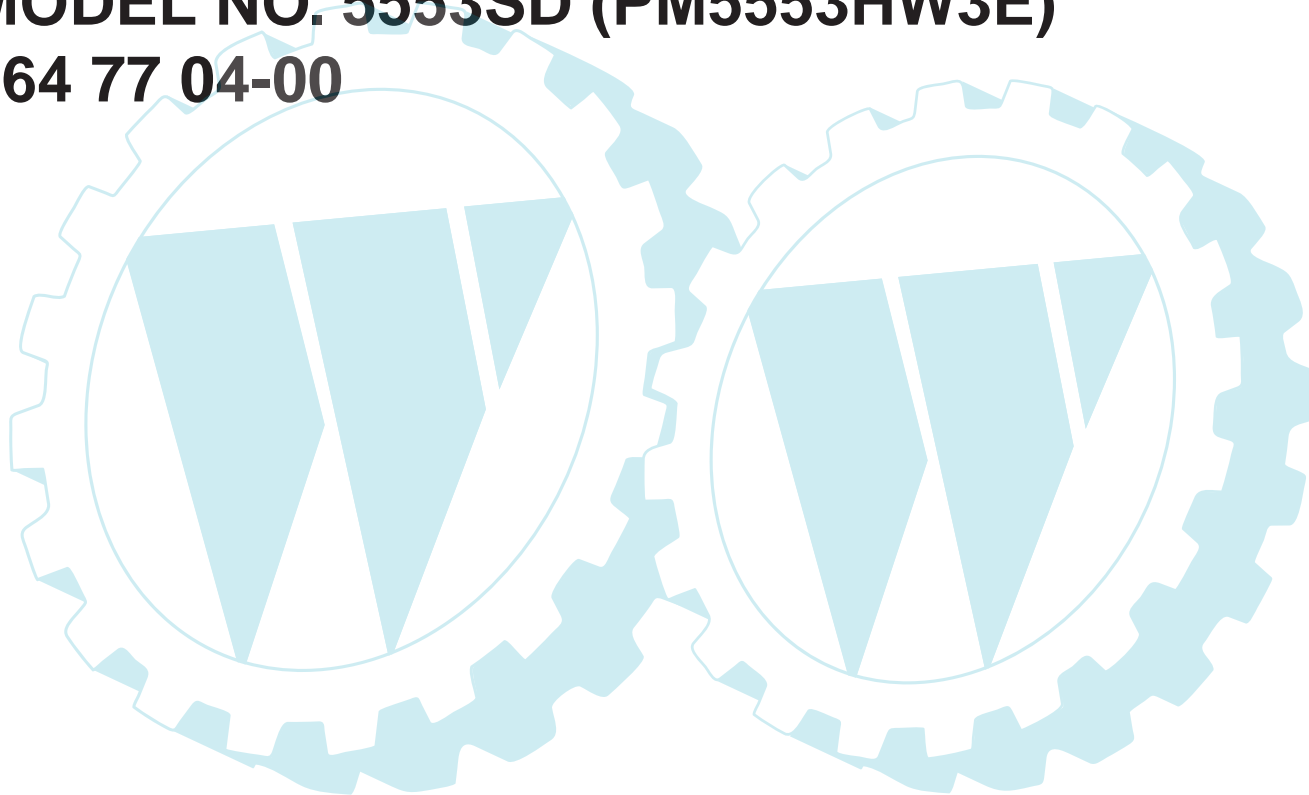
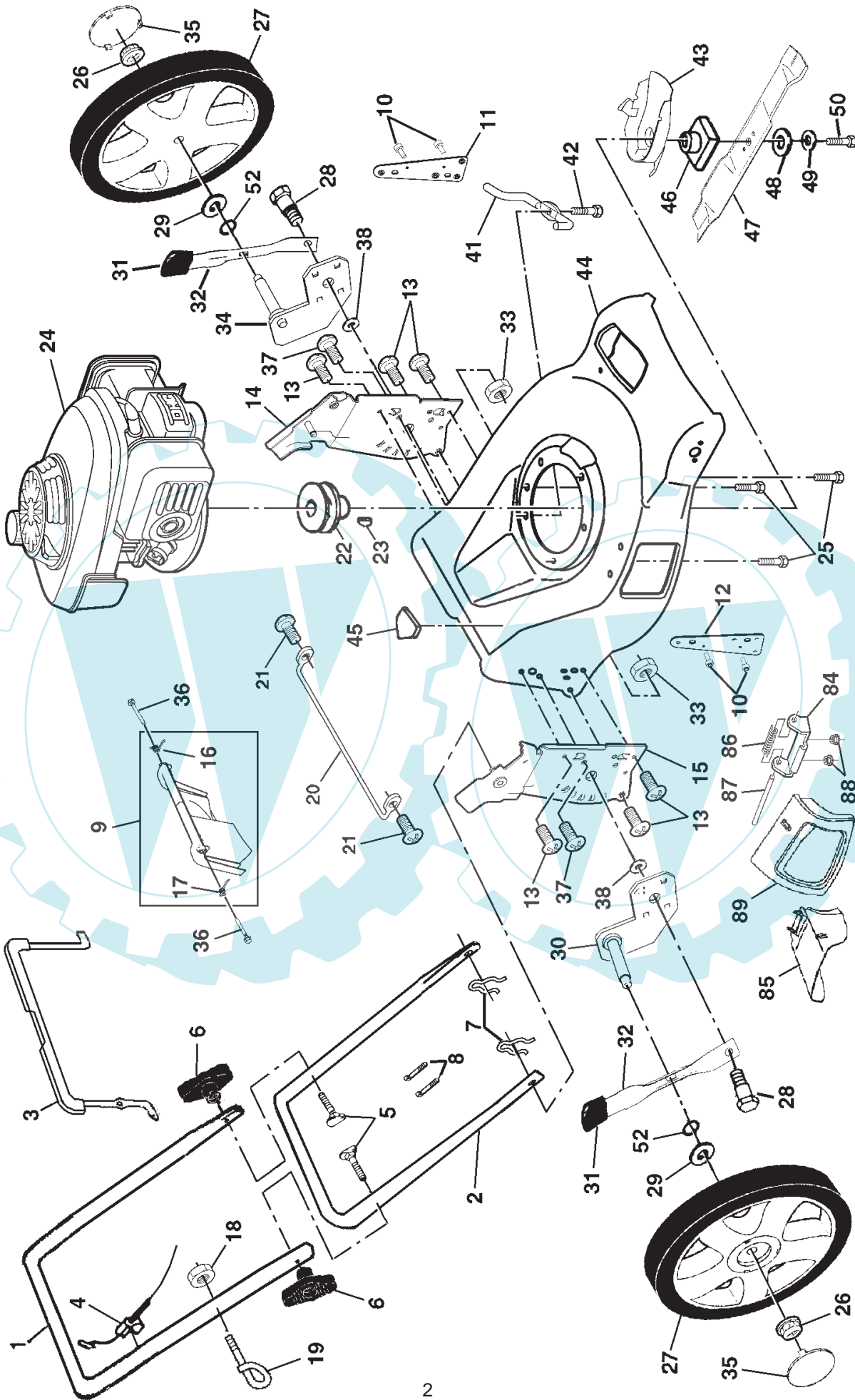


## ILLUSTRATED PARTS BREAKDOWN

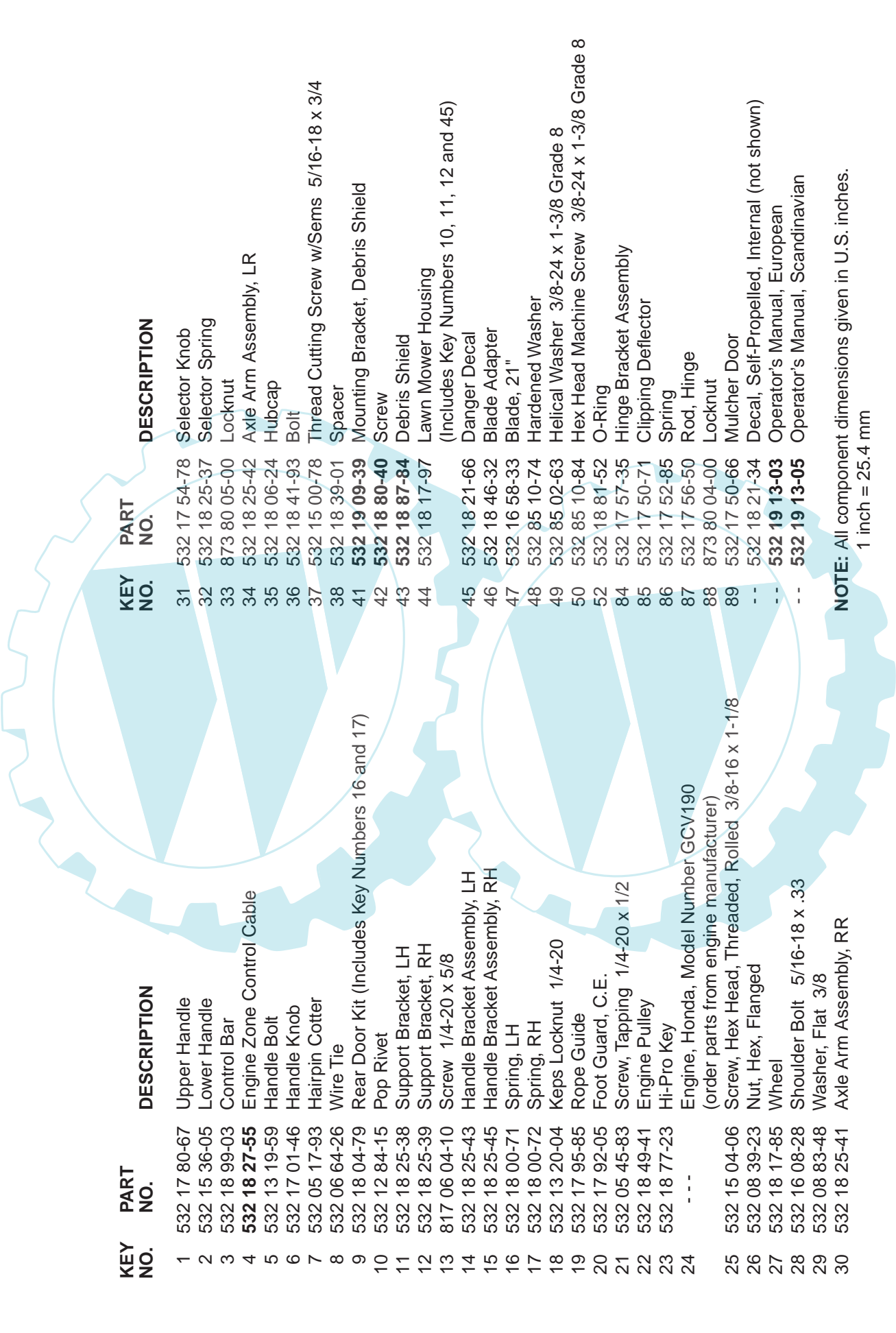
**ELECTROLUX  
6.0 HORSEPOWER  
21" MULTI-CUT LAWN MOWER  
MODEL NO. 5553SD (PM5553HW3E)  
964 77 04-00**



ROTARY LAWN MOWER - - MODEL NUMBER 5553SD (PM5553HW3E) PRODUCT NUMBER 964 77 04-00



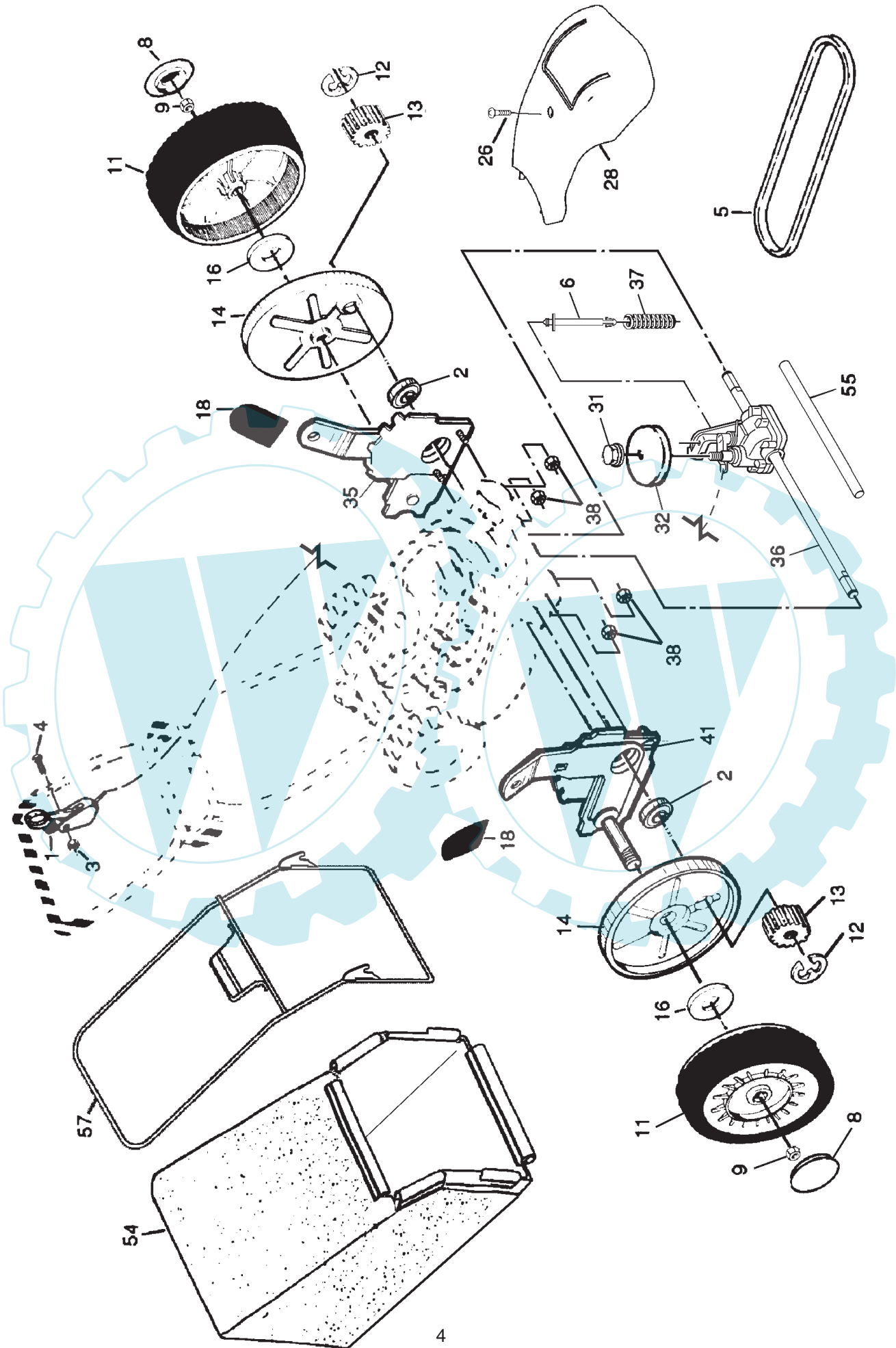
**ROTARY LAWN MOWER - - MODEL NUMBER 5553SD (PM5553HW3E) PRODUCT NUMBER 964 77 04-00**



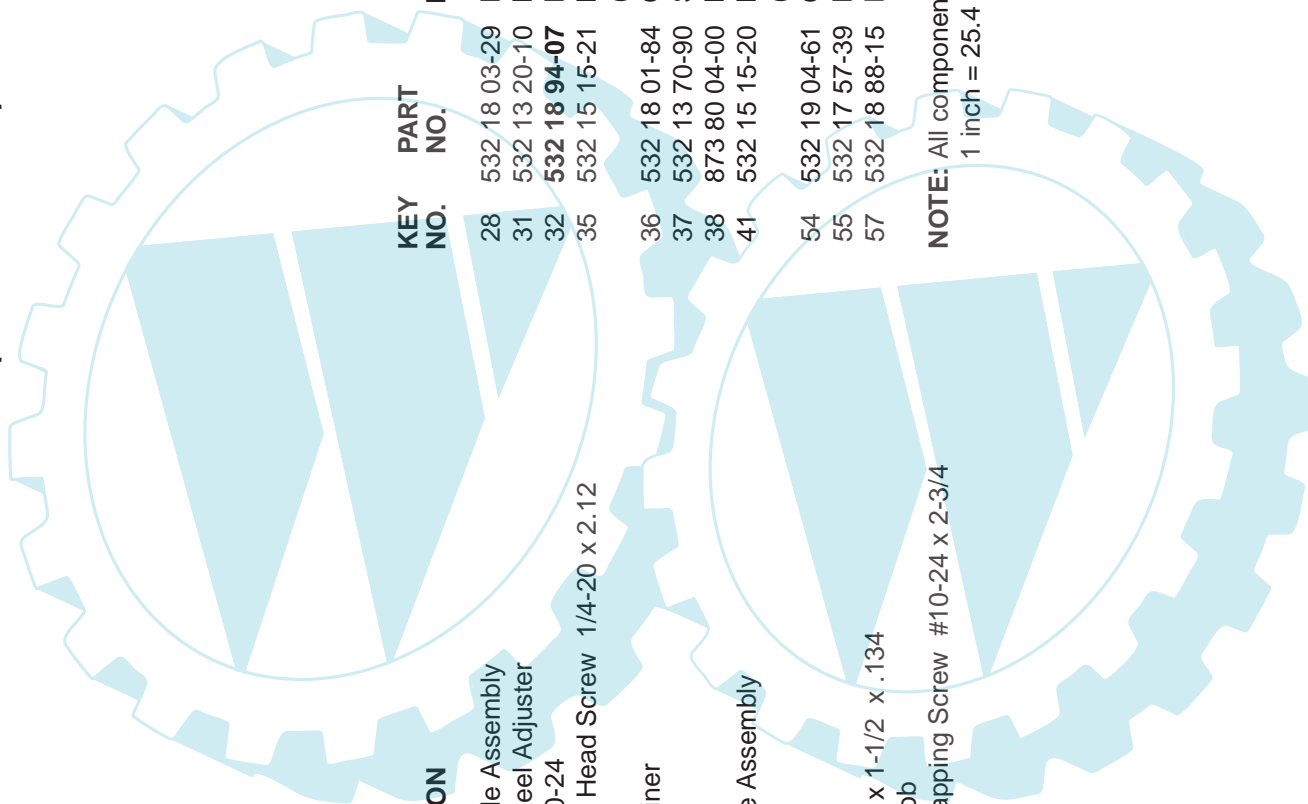
KEY NO.	PART NO.	DESCRIPTION	KEY NO.	PART NO.	DESCRIPTION
1	532 17 80-67	Upper Handle	31	532 17 54-78	Selector Knob
2	532 15 36-05	Lower Handle	32	532 18 25-37	Selector Spring
3	532 18 99-03	Control Bar	33	873 80 05-00	Locknut
4	<b>532 18 27-55</b>	Engine Zone Control Cable	34	532 18 25-42	Axle Arm Assembly, LR
5	532 13 19-59	Handle Bolt	35	532 18 06-24	Hubcap
6	532 17 01-46	Handle Knob	36	532 18 41-93	Bolt
7	532 05 17-93	Hairpin Cotter	37	532 15 00-78	Thread Cutting Screw w/Sems 5/16-18 x 3/4
8	532 06 64-26	Wire Tie	38	532 18 39-01	Spacer
9	532 18 04-79	Rear Door Kit (Includes Key Numbers 16 and 17)	41	<b>532 19 09-39</b>	Mounting Bracket, Debris Shield
10	532 12 84-15	Pop Rivet	42	<b>532 18 80-40</b>	Screw
11	532 18 25-38	Support Bracket, LH	43	<b>532 18 87-84</b>	Debris Shield
12	532 18 25-39	Support Bracket, RH	44	532 18 17-97	Lawn Mower Housing (Includes Key Numbers 10, 11, 12 and 45)
13	817 06 04-10	Screw 1/4-20 x 5/8	45	532 18 21-66	Danger Decal
14	532 18 25-43	Handle Bracket Assembly, LH	46	532 18 46-32	Blade Adapter
15	532 18 25-45	Handle Bracket Assembly, RH	47	532 16 58-33	Blade, 21"
16	532 18 00-71	Spring, LH	48	532 85 10-74	Hardened Washer
17	532 18 00-72	Spring, RH	49	532 85 02-63	Helical Washer 3/8-24 x 1-3/8 Grade 8
18	532 13 20-04	Keps Locknut 1/4-20	50	532 85 10-84	Hex Head Machine Screw 3/8-24 x 1-3/8 Grade 8
19	532 17 95-85	Rope Guide	52	532 18 81-52	O-Ring
20	532 17 92-05	Foot Guard, C.E.	84	532 17 57-35	Hinge Bracket Assembly
21	532 05 45-83	Screw, Tapping 1/4-20 x 1/2	85	532 17 50-71	Clipping Deflector
22	532 18 49-41	Engine Pulley	86	532 17 52-85	Spring
23	532 18 77-23	Hi-Pro Key	87	532 17 56-50	Rod, Hinge
24	---	Engine, Honda, Model Number GCV190 (order parts from engine manufacturer)	88	873 80 04-00	Locknut
25	532 15 04-06	Screw, Hex Head, Threaded, Rolled 3/8-16 x 1-1/8	89	532 17 50-66	Mulcher Door
26	532 08 39-23	Nut, Hex, Flanged	--	532 18 21-34	Decal, Self-Propelled, Internal (not shown)
27	532 18 17-85	Wheel	--	<b>532 19 13-03</b>	Operator's Manual, European
28	532 16 08-28	Shoulder Bolt 5/16-18 x .33	--	<b>532 19 13-05</b>	Operator's Manual, Scandinavian
29	532 08 83-48	Washer, Flat 3/8			
30	532 18 25-41	Axle Arm Assembly, RR			

**NOTE:** All component dimensions given in U.S. inches.  
1 inch = 25.4 mm

ROTARY LAWN MOWER - - MODEL NUMBER 5553SD (PM5553HW3E) PRODUCT NUMBER 964 77 04-00



ROTARY LAWN MOWER - - MODEL NUMBER 5553SD (PM5553HW3E) PRODUCT NUMBER 964 77 04-00



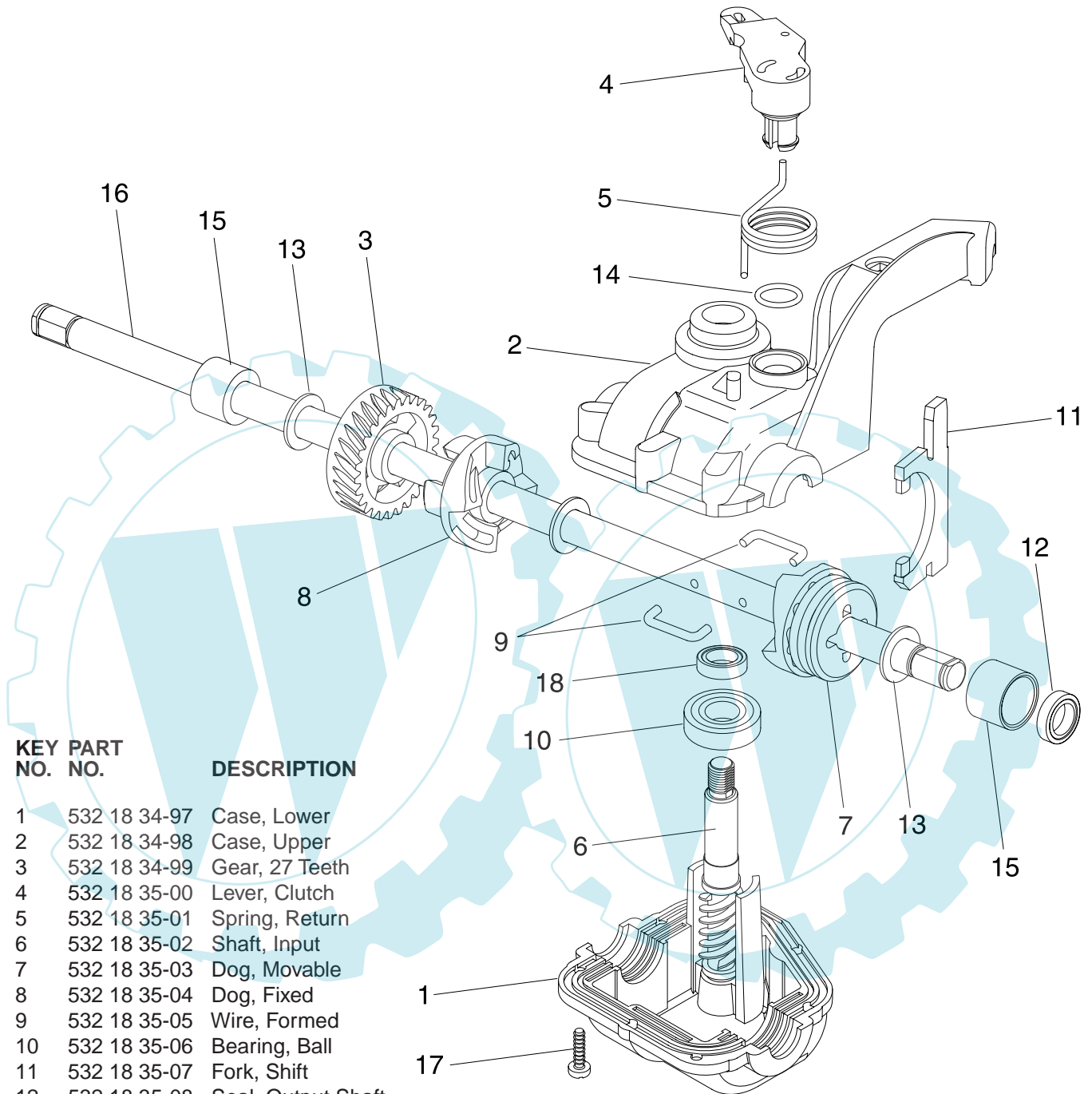
KEY NO.	PART NO.	DESCRIPTION	KEY NO.	PART NO.	DESCRIPTION
1	532 18 45-87	Control Cable Assembly	28	532 18 03-29	Drive Cover
2	532 08 80-58	Bearing, Wheel Adjuster	31	532 13 20-10	Hex Flange Nut
3	532 75 11-52	Locknut #10-24	32	<b>532 18 94-07</b>	Drive Pulley
4	532 15 87-55	Hex Washer Head Screw 1/4-20 x 2.12	35	532 15 15-21	Kit, Wheel Adjuster, LH (Includes Knob and Bearing)
5	532 17 54-36	V-Belt	36	532 18 01-84	Gear Case Assembly (See Breakdown)
6	532 15 04-95	Spring Retainer	37	532 13 70-90	Spring
8	532 16 43-78	Hubcap	38	873 80 04-00	Locknut 1/4-20
9	532 14 52-12	Locknut	41	532 15 15-20	Kit, Wheel Adjuster, RH (Includes Knob and Bearing)
11	532 18 07-67	Wheel & Tire Assembly	54	532 19 04-61	Grassbag Assembly
12	812 00 00-58	E-Ring	55	532 17 57-39	Driveshaft Cover
13	532 13 70-54	Pinion	57	532 18 88-15	Frame, Grassbag
14	532 18 05-04	Dust Cover			
16	532 06 77-25	Washer 1/2 x 1-1/2 x .134			
18	532 17 01-43	Selector Knob			
26	532 17 52-62	Pan Head Tapping Screw #10-24 x 2-3/4			

**NOTE:** All component dimensions given in U.S. inches.  
1 inch = 25.4 mm

ROTARY LAWN MOWER - - MODEL NUMBER 5553SD (PM5553HW3E)

PRODUCT NUMBER 964 77 04-00

GEARCASE ASSEMBLY - PART NUMBER 532 18 01-84



KEY PART  
NO. NO.

DESCRIPTION

1	532 18 34-97	Case, Lower
2	532 18 34-98	Case, Upper
3	532 18 34-99	Gear, 27 Teeth
4	532 18 35-00	Lever, Clutch
5	532 18 35-01	Spring, Return
6	532 18 35-02	Shaft, Input
7	532 18 35-03	Dog, Movable
8	532 18 35-04	Dog, Fixed
9	532 18 35-05	Wire, Formed
10	532 18 35-06	Bearing, Ball
11	532 18 35-07	Fork, Shift
12	532 18 35-08	Seal, Output Shaft
13	532 18 35-09	Washer
14	532 18 35-10	Seal, Case
15	532 18 35-11	Bushing
16	532 18 35-12	Shaft, Output
17	532 18 35-13	Screw
18	532 18 35-14	Seal, Input Shaft
--	532 18 34-04	Kit, Gearcase Replacement

**NOTE:** Use Dow Corning #709 to reseal Gear Case Halves.

**NOTE:** All component dimensions given in U.S. inches.  
1 inch = 25.4 mm